

highline dim

3W	6W	350mA - 500mA	IP20		
DIP	1-10V DIM	SW DIM	SYNC		

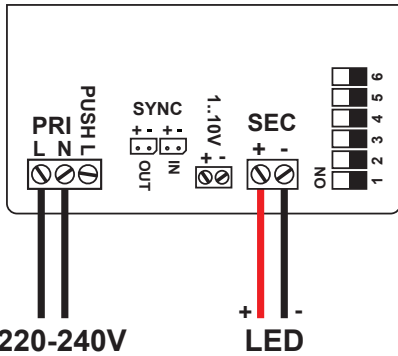


3W LED	▶	350mA	▶	3 - 12 LED	▶	
6W LED	▶	500mA	▶	1 - 4 LED	▶	

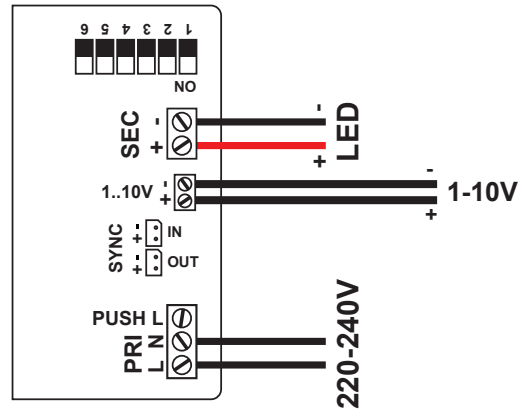
- 1
- 2
- 3
- 4

1 2 3 1 2 3

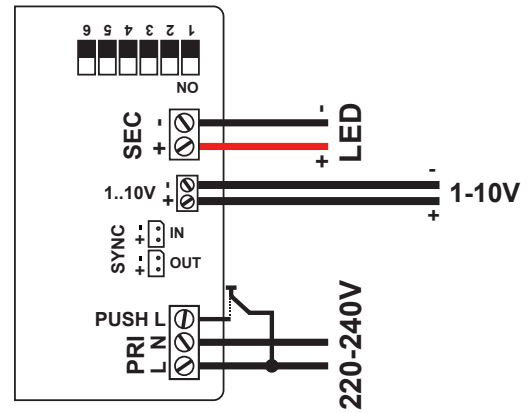
CONNECTION



1-10V DIM



PUSH DIM



DIMMING

PUSH DIM

ON CLICK < 1 SEC.	DIM CLICK > 1 SEC.	DIM CLICK > 1 SEC.	OFF CLICK < 1 SEC.
---------------------------------	----------------------------------	----------------------------------	----------------------------------

1-10V DIM

ON -CLICK-	DIM ↻	DIM SIGNAL < 1V ⇒ OFF	OFF -CLICK-
--------------------------	---------------------	--	---------------------------

