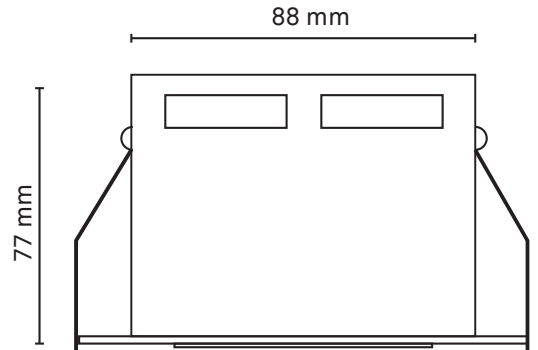
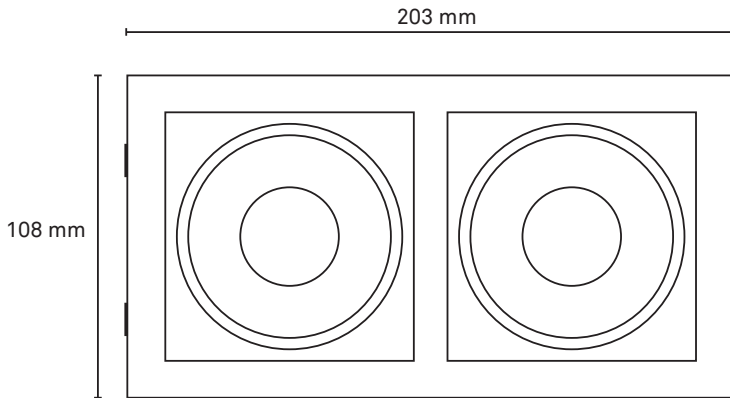


# Double frame



|     |        |       |               |                         |     |    |
|-----|--------|-------|---------------|-------------------------|-----|----|
| LED | 2 x 6W | 500mA | 2 x 500 lumen | Ra 90                   |     |    |
|     | IP44   |       |               | 2700K<br>3000K<br>4000K | DIM | CE |
|     |        |       |               |                         |     |    |

RAL 9016 RAL 9006 RAL 9005