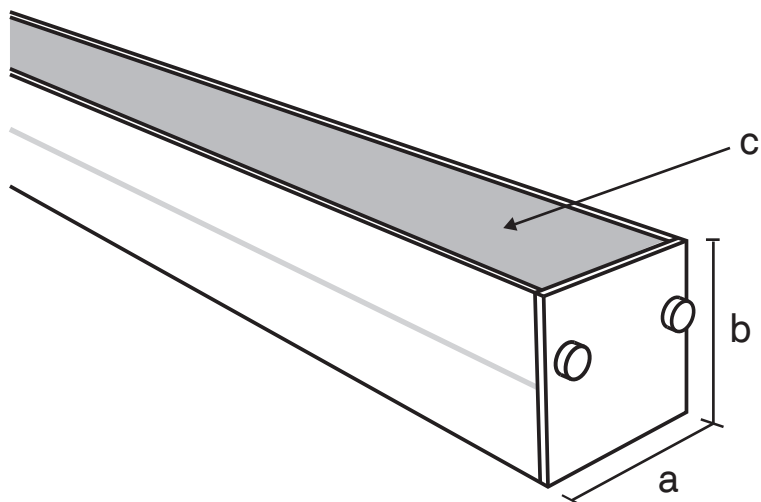


KL Optic



a = 20mm
b = 20mm
c = clear, sanded, opal, shade

3W LED	160mm 	IP44 	max. 4 m 	20 x 20 mm 			350mA — 700mA
	3000K 3500K 4000K	DIM 				CE	
ALUMINUM	RAL 9005	RAL 9016					