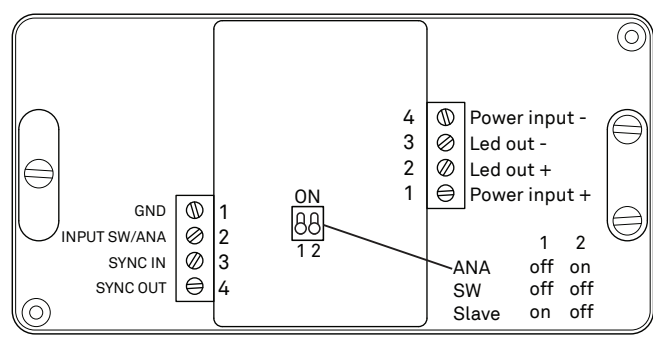
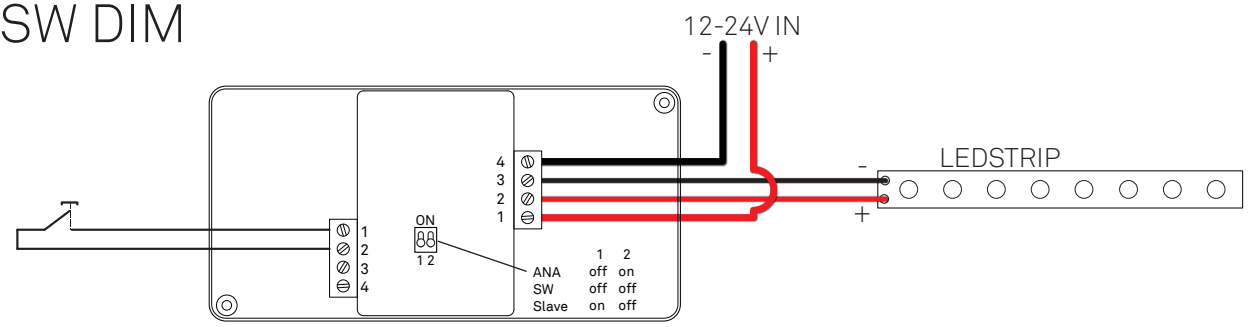




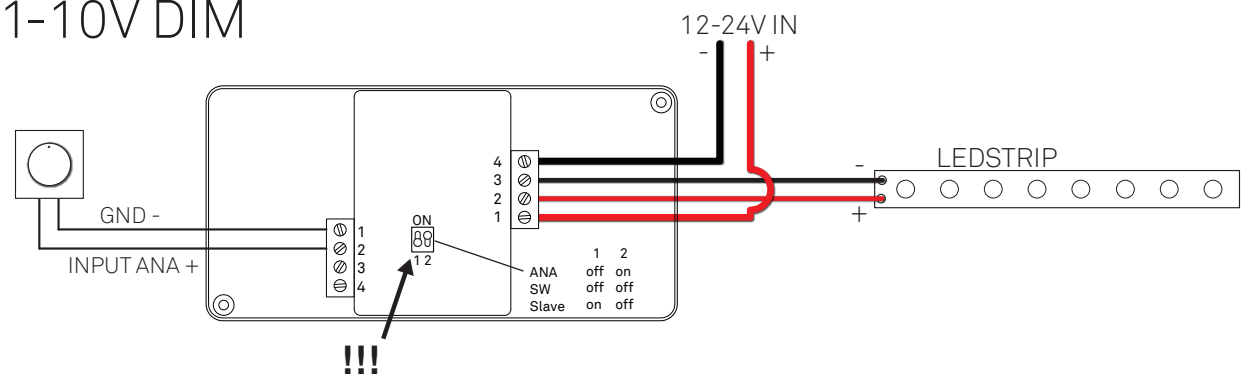
CONNECTION



SW DIM



1-10V DIM



SYNC

