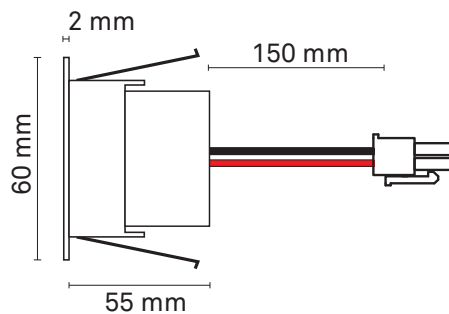
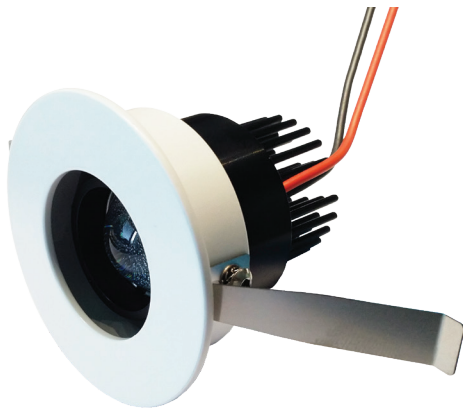


# highline power spot R

1



<b>h</b> highline	<b>LED</b> <b>6W</b>	<b>Ra 90</b>	<b>500</b> lumen	<b>500mA</b>	-20°C ... +50°C	
<b>DIM</b>	<b>IP44</b>	20°-50°	54 mm	<b>2700K</b> <b>3000K</b> <b>4000K</b>	<b>1 LED</b> /2m <sup>2</sup> <b>2 LED</b> /2m <sup>2</sup>	<b>CE</b>

## Sähkönumerot

highline power spot R

2700K  
3000K  
4000K



41 281 19  
41 281 20  
41 281 21



41 281 22  
41 281 23  
41 281 24



41 281 25  
41 281 26  
41 281 27