

saas hot one

INSTALLATION INSTRUCTIONS



PACKAGE CONTAINS:

- > 4m glassfiber (3mm)
- > Canopy with lens
- > LED projector (3W)
- > Driver 500mA IP55

INSTALLATION

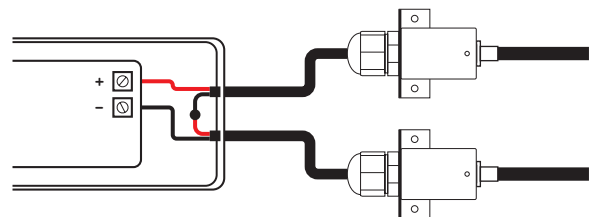
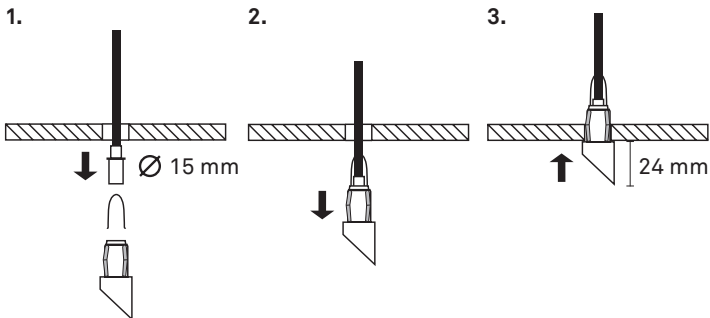
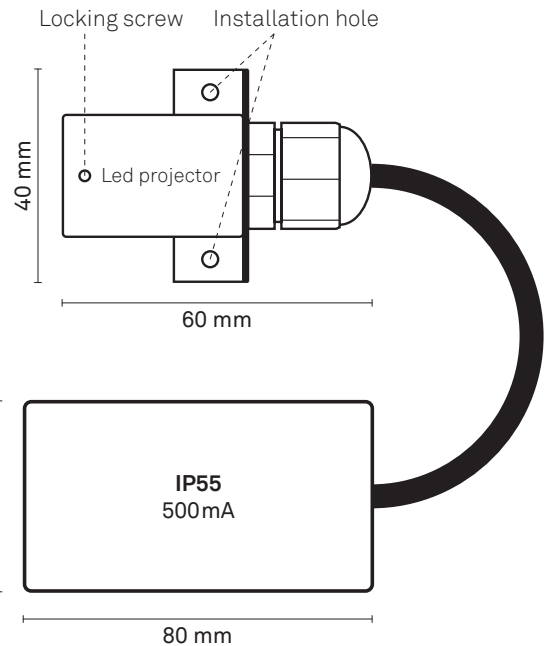
Choose a suitable place for the projector. Make sure the fiber is long enough to reach the ceiling. If the projector is installed in the actual sauna, it should not be mounted higher than 1 meter from the floor.

Install the projector so that the fiber outlet is facing down or to the side. Fasten the projector with screws. Push the fiber end as deep as possible into the projector and fasten it with the locking screw.

Drill a 15mm hole for the fiber, fit the fiber through the hole, and fasten the canopy in the ceiling with the help of its installation springs by pushing it in to the installation hole.

The fiber cables do not need separate tubes or protection and can be threaded through insulation panels. Make sure the fiber cables are not squeezed or are too steeply bent ($r=20\text{mm}$). Handle the fibers with caution!

If the fiber is damaged, its capability of transporting the light weakens.



For saas hot one+ additional installation the connector on the saas hot one product should be cut off.