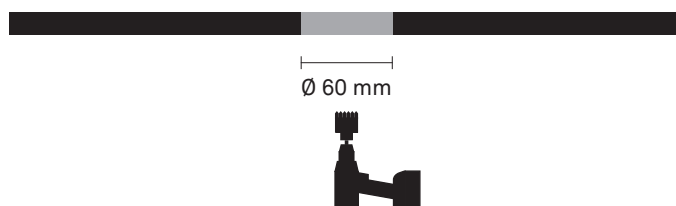


saas HD 60

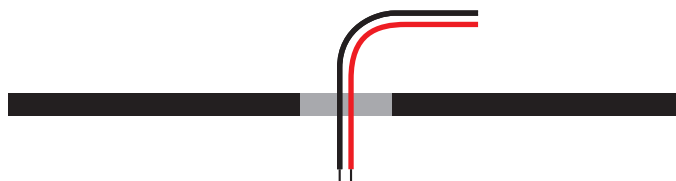
INSTRUCTIONS / CONNECTION WITHOUT SAAS WIRE

1



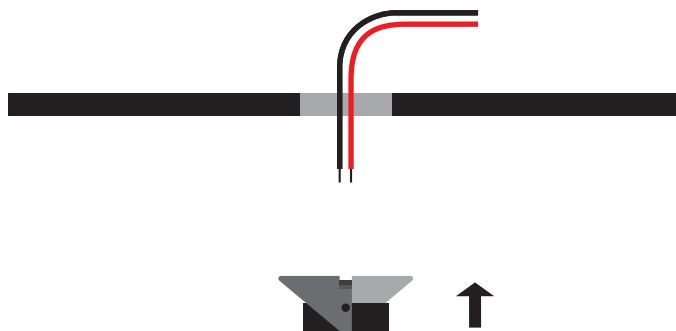
Drill 60 mm holes for the led-lights.

2



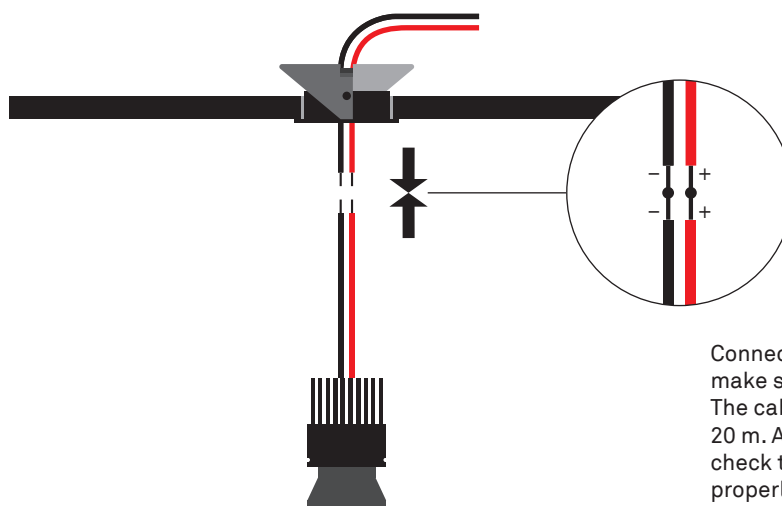
Slide the wires through the drilled holes.

3



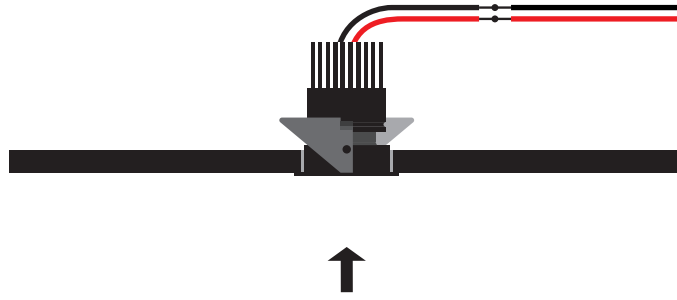
Lift the frames into place.

4



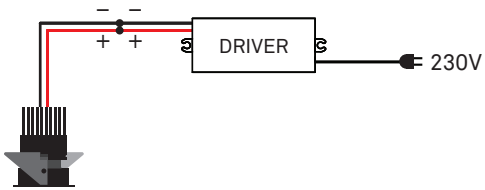
Connect the lights with the wires, make sure the power is turned off. The cabling can be extended up to 20 m. After this, switch on power to check that all fixtures are working properly.

5



Lastly, push the HD 60 -lights into the frames.

6 Connection scheme with one fixture:



Connection scheme with several fixtures (series connection):

