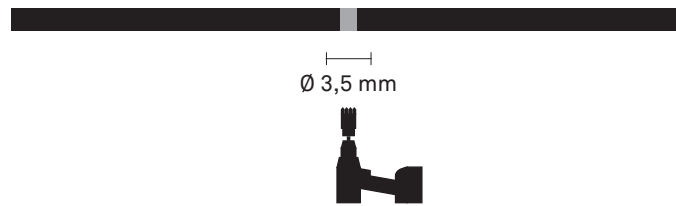


saas power focus

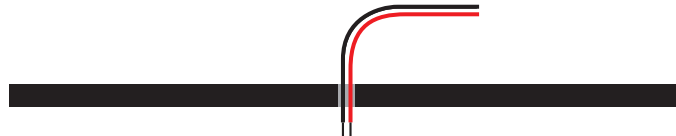
INSTRUCTIONS / CONNECTION WITHOUT SAAS WIRE

1



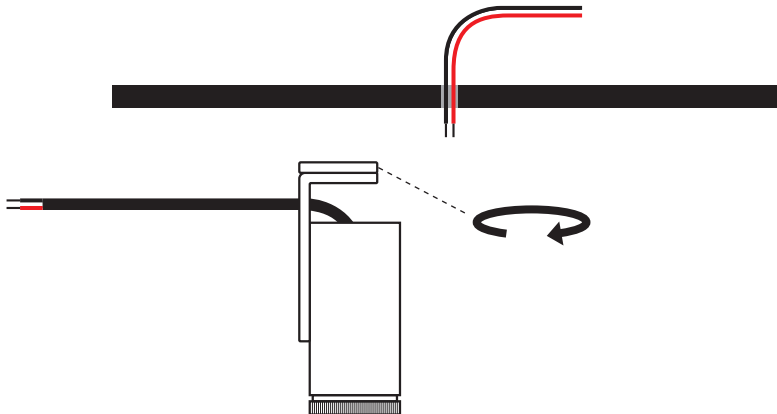
Drill a 3,5mm hole for the wire.

2



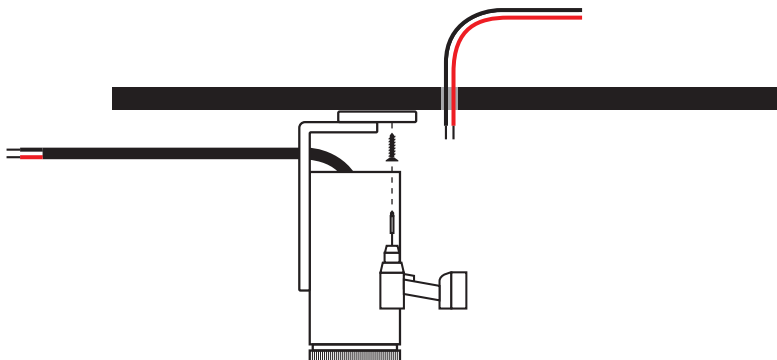
Thread the wire through the hole.

3



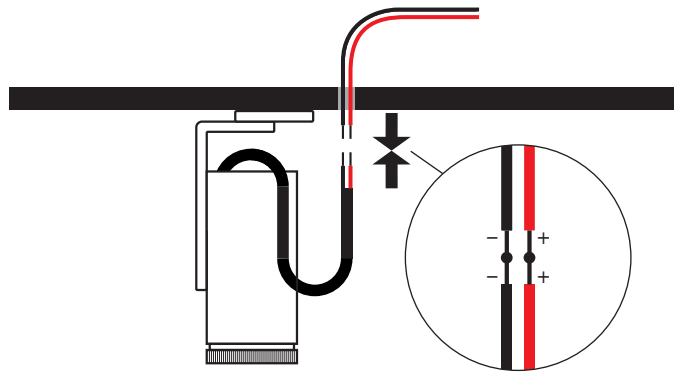
Turn the installation plate in the opposite direction.

4



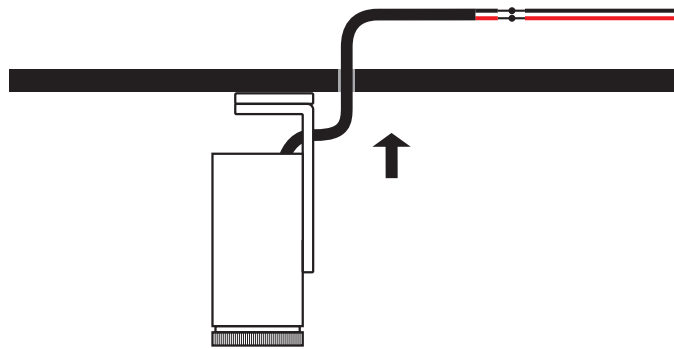
Fasten the fixture by screwing the installation plate to the ceiling.

5



Connect the lights with the wires, make sure the power is turned off. The cabling can be extended up to 20 m. After this, switch on power to check that all fixtures are working properly.

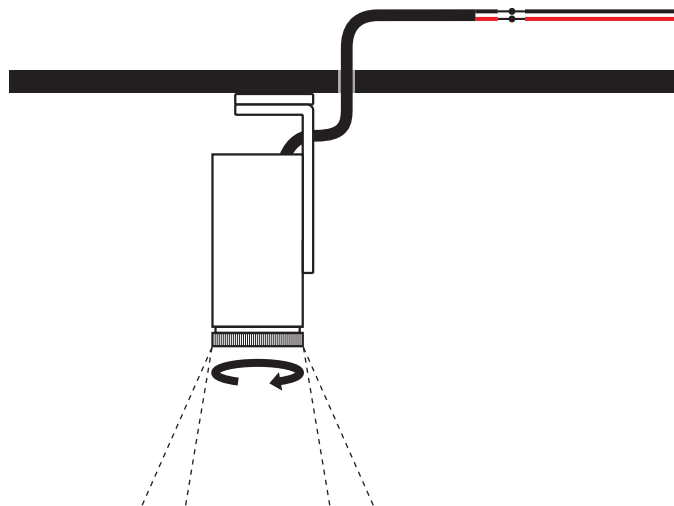
6



Insert wire in the drilled holes (see step 1).

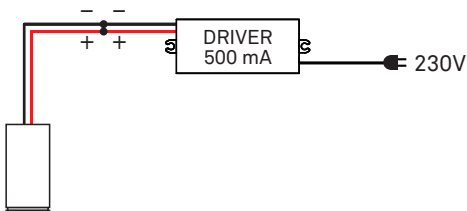
Adjust the fixture in the desired direction.

7



The beam angle may be adjusted by twisting the edge of the fixture.

8 Connection scheme with one fixture:



Connection scheme with several fixtures (series connection):

