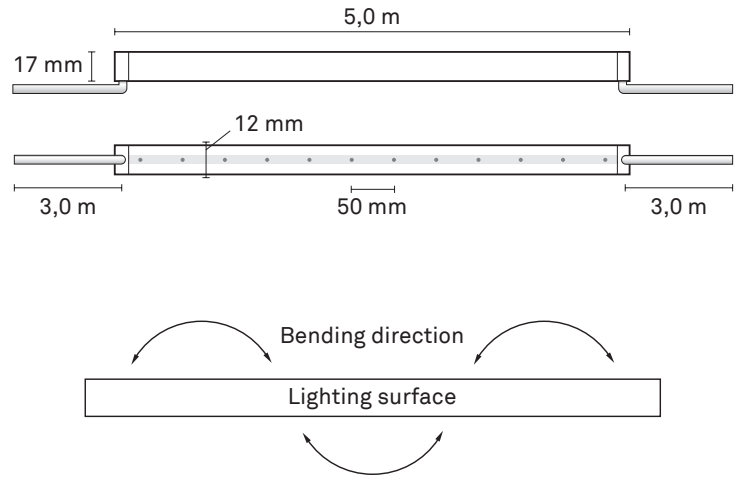


# saas creative side view

## INSTRUCTIONS



LED 9,6W/m	24V	520 lm/m	Ra 85	3 SDCM	IP67	DIM	15 x BRACKET
 -20°C ... +50°C		 50 mm	L90B10 50 000h	5 YEARS WARRANTY	60 mm MIN. BEND DIAMETER	CE	

Maximum 10 meter led strip/feed.  
Maximalt 10 meter ledband/inmatning.  
Enintään 10 metrin led-nauha/syöttö.

### Precautions before installation

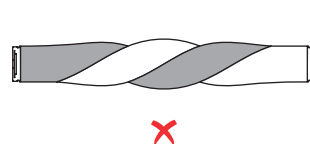
1: Indoor and outdoor use



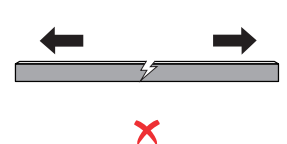
2: No pedaling



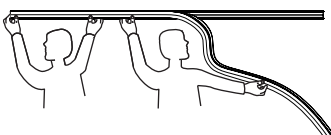
3: No distortion



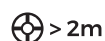
4: No stretching



5: Operated by 2 people



For 2 m or longer creative strips, it is recommended to install or detach by 2 people.

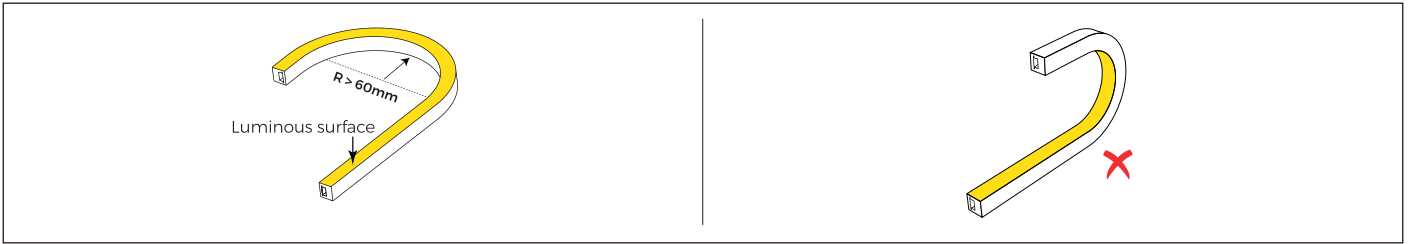


## Creative side view bending radius and note

### Side bending

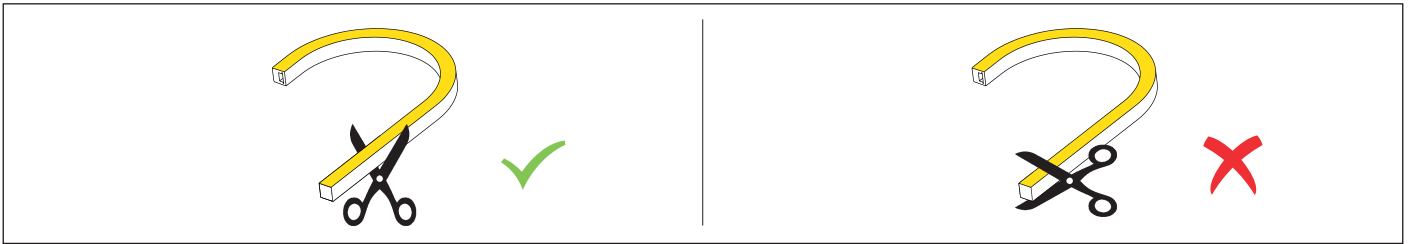
1: Bending direction and min. radius

2: Top bending prohibited

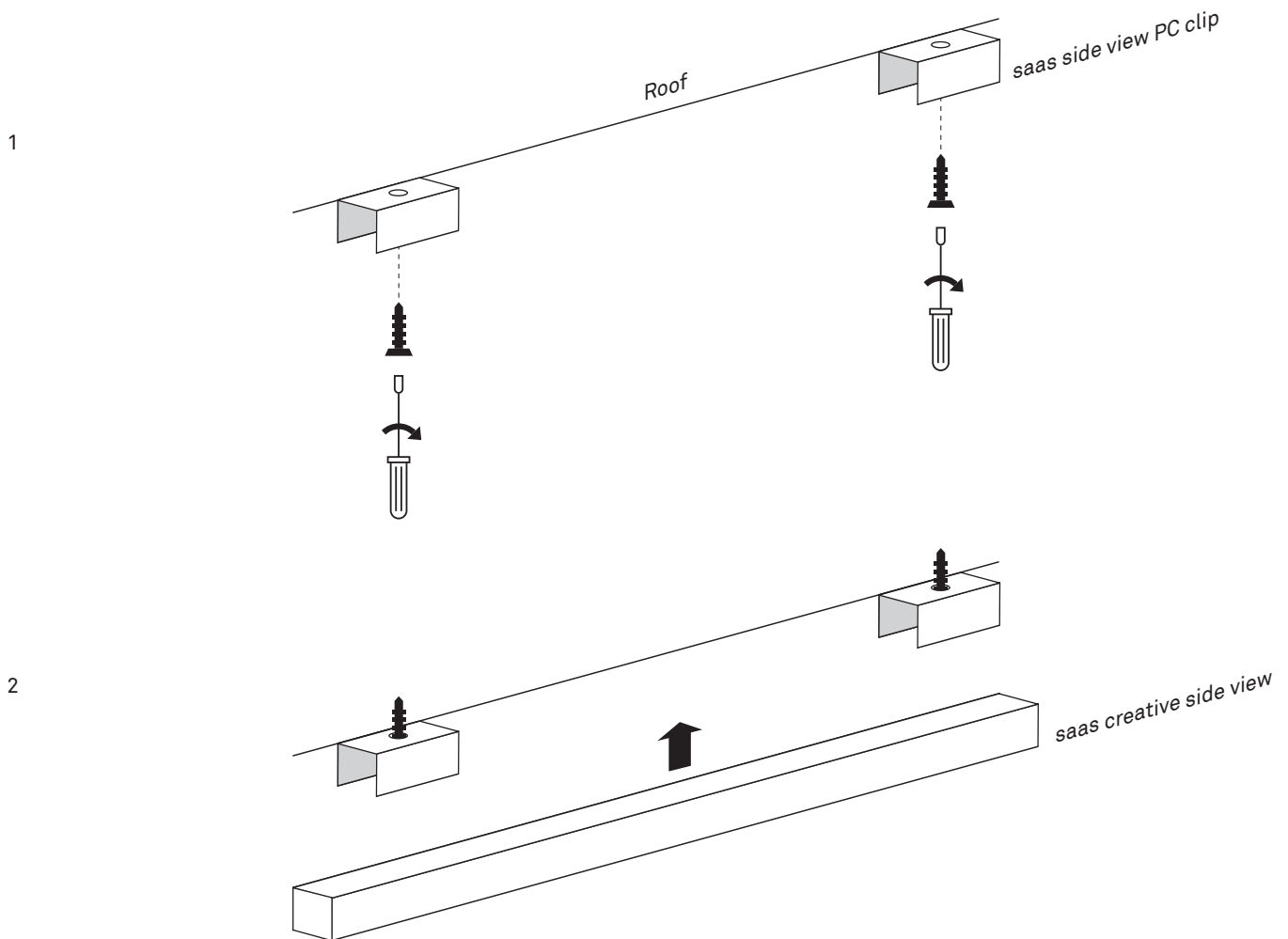


Note: Due to the different types and attributes of creative side view, please refer to the line marks for the bending radius.

### Cutting creative side view

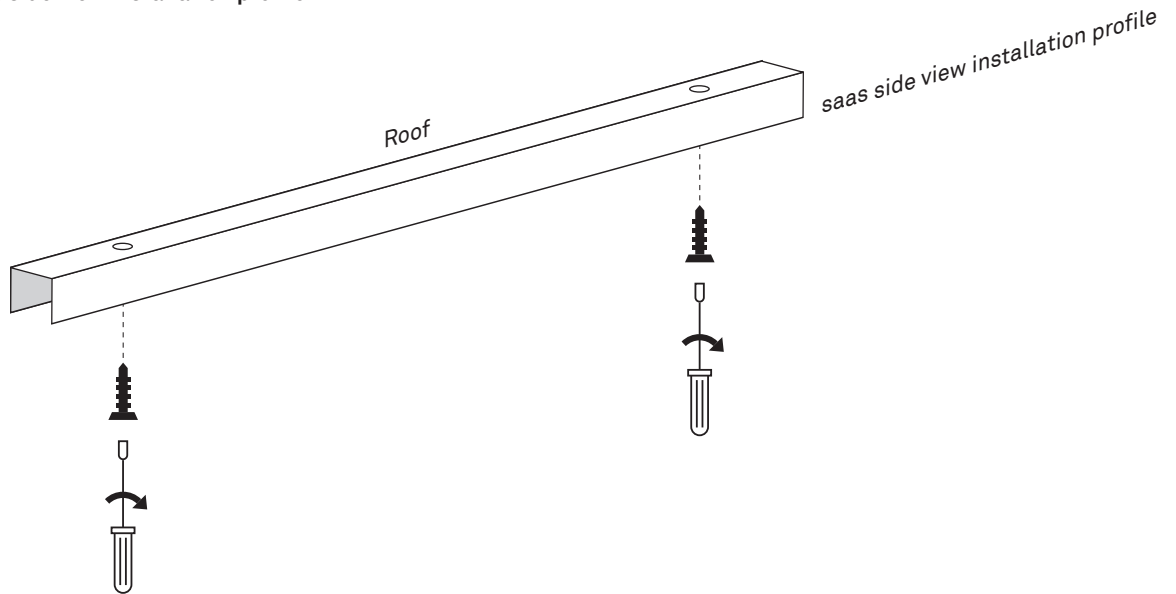


### Installation with saas side view PC clip

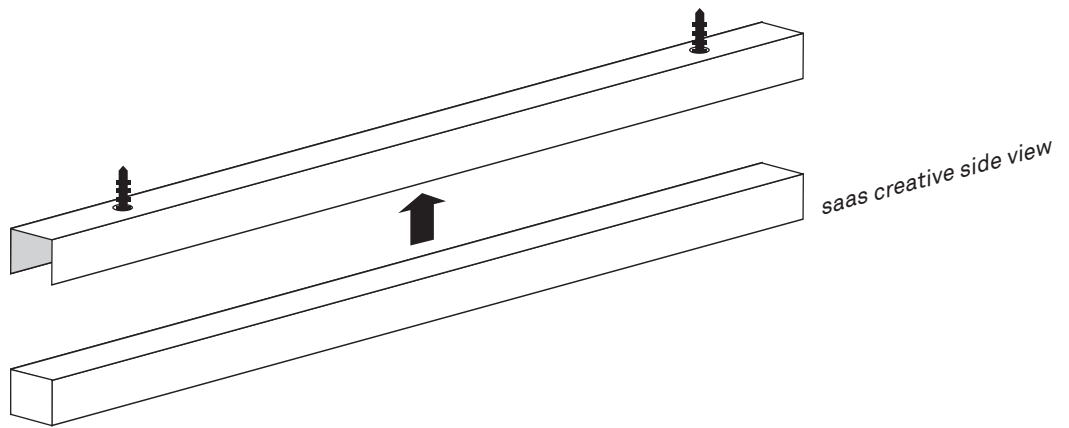


## Optional installation to saas side view installation profile

1

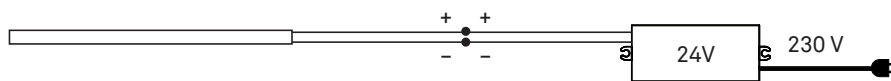


2

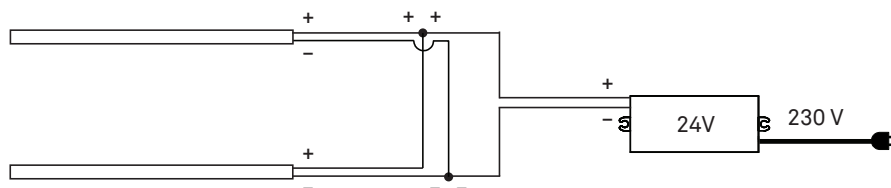


## Connection of the ledstrip

Connection of the single ledstrip:



Connection of multiple ledstrips, connected in parallel:



or:

