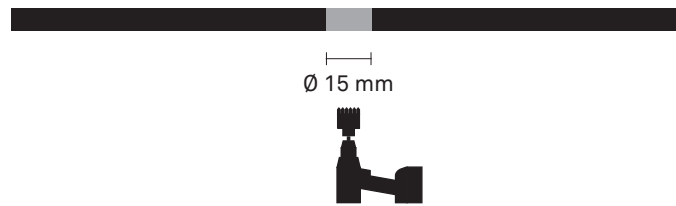


# saas power focus IP65

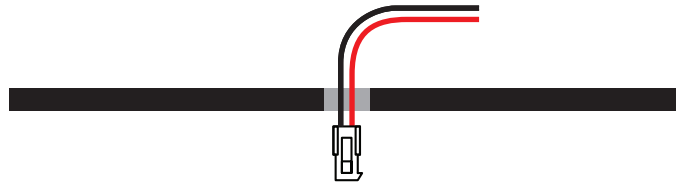
INSTRUCTIONS

1



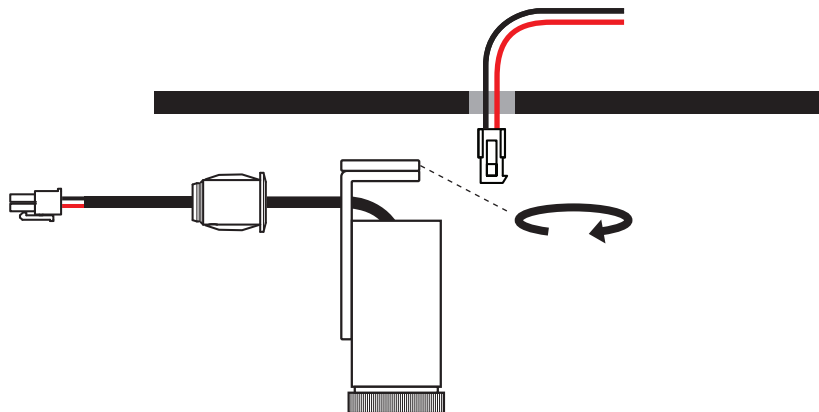
Drill a 15mm hole for the wire canopy.

2



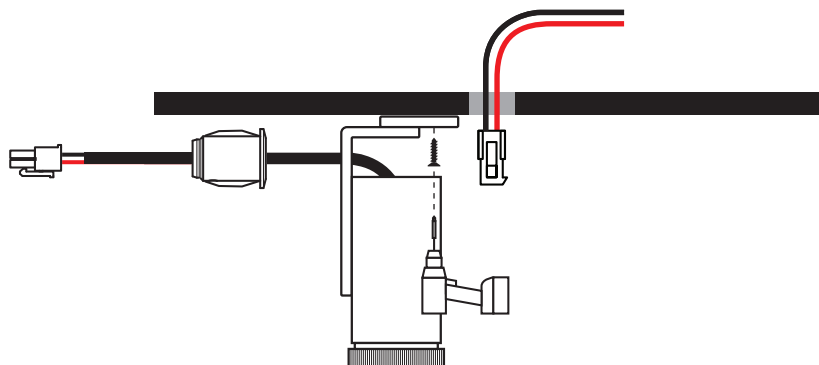
Thread the wire through the hole.

3



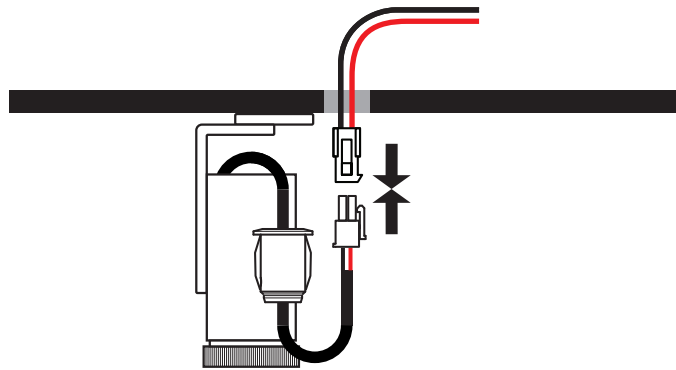
Turn the installation plate in the opposite direction.

4



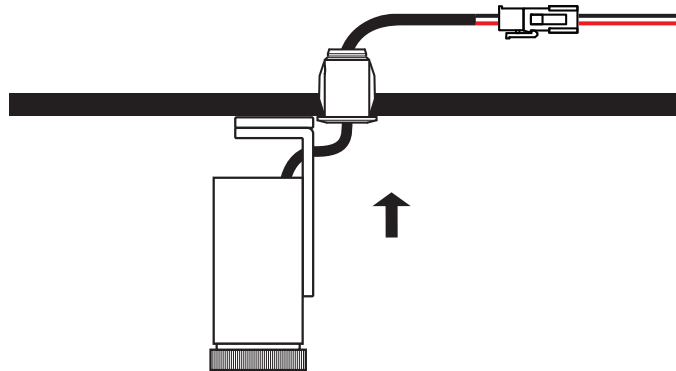
Fasten the fixture by screwing the installation plate to the ceiling.

5



Connect the lights with the cable harness, make sure the power is turned off. The cabling can be extended up to 20 m. After this, switch on power to check that all fixtures are working properly.

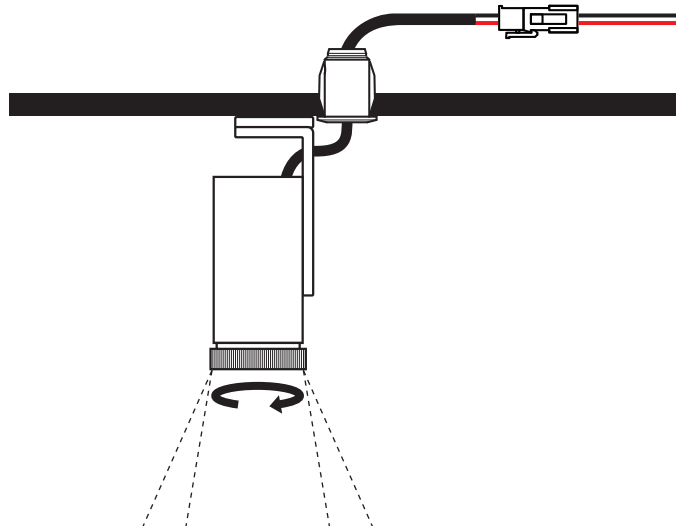
6



Insert the wire canopy in the drilled holes (see step 1).

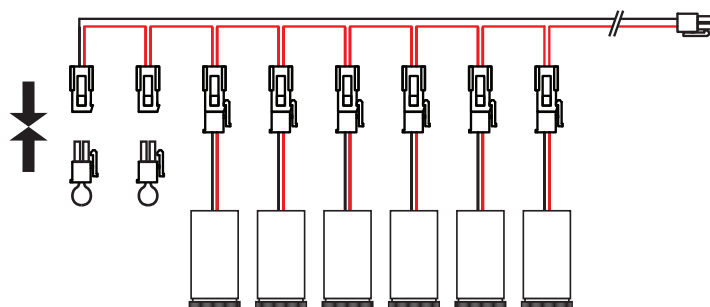
*Adjust the fixture in the desired direction.*

7



The beam angle may be adjusted by twisting the edge of the fixture.

8



Fit the **saas loop** on all the connectors that are not in use on the cable harness.