

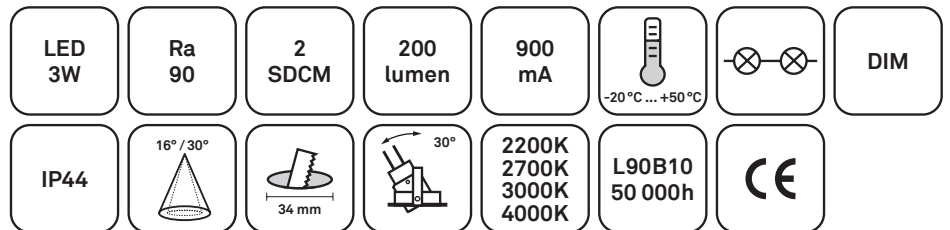
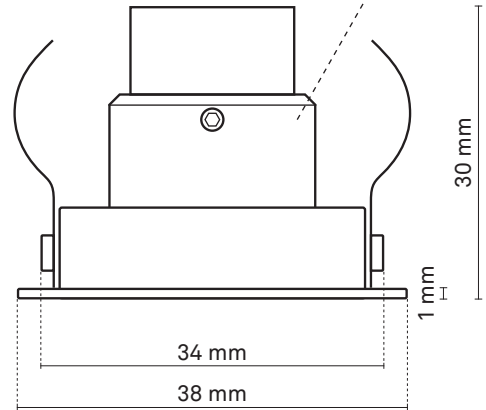
# saas blaze pivot

INSTRUCTIONS

1



Frame colors:  
White, grey, black



1

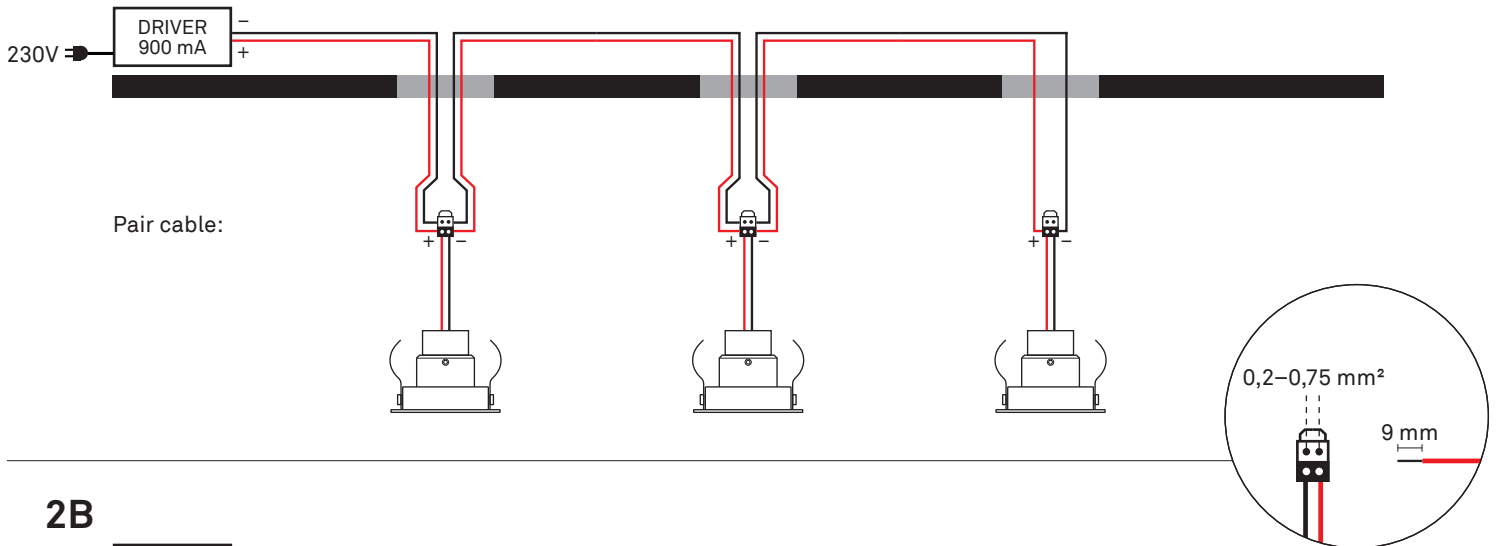


Ø 34 mm

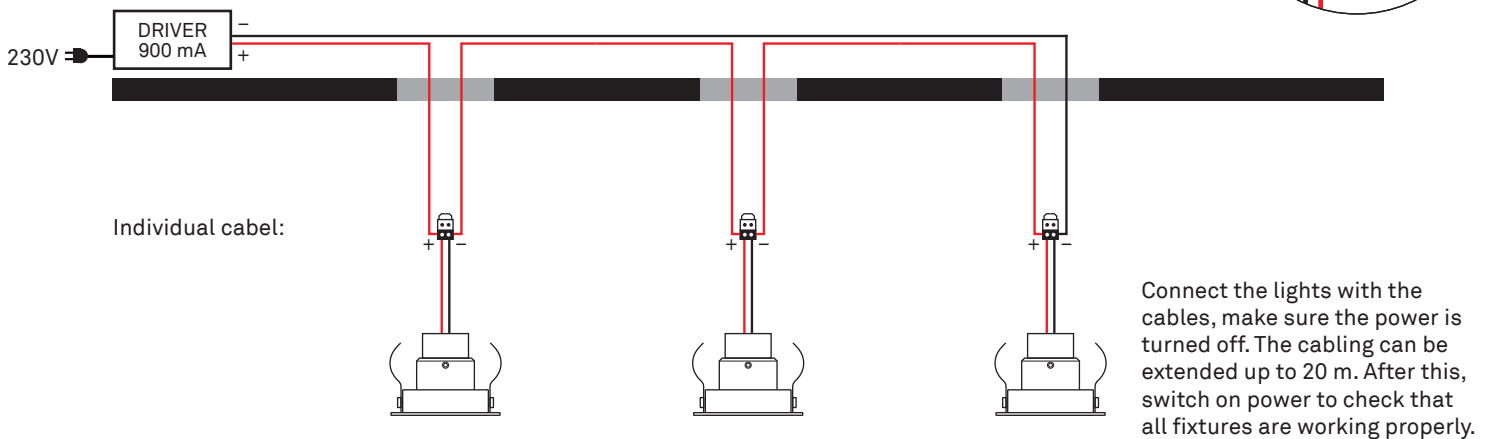


Drill 22 mm holes for the led-lights.

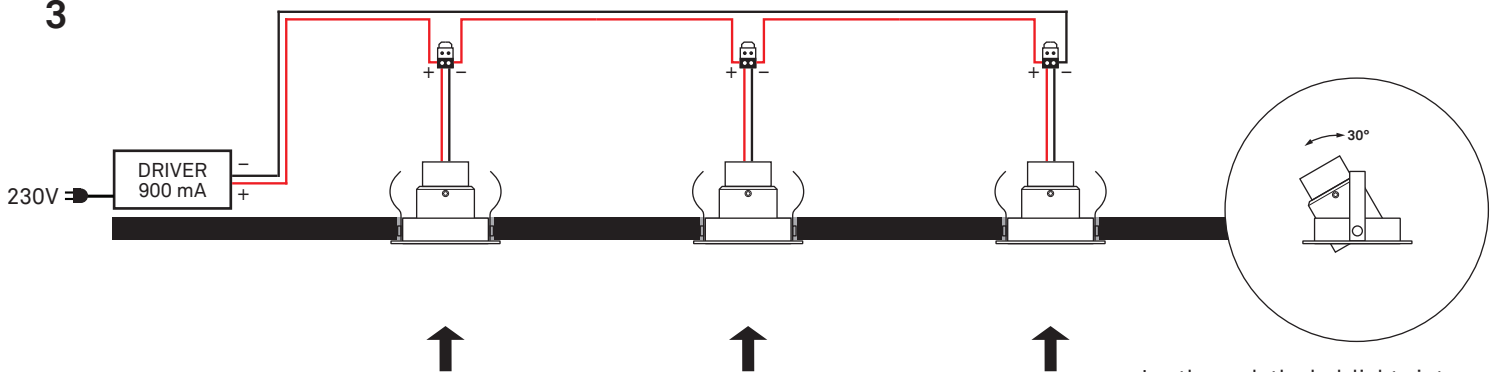
## 2A



## 2B

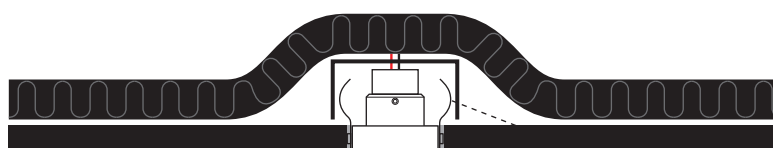


## 3



Lastly, push the led-lights into the drilled holes. The fittings are installed in the drilled holes using the installation springs.

## 4



Consider the ventilation between the fixture and the isolation.