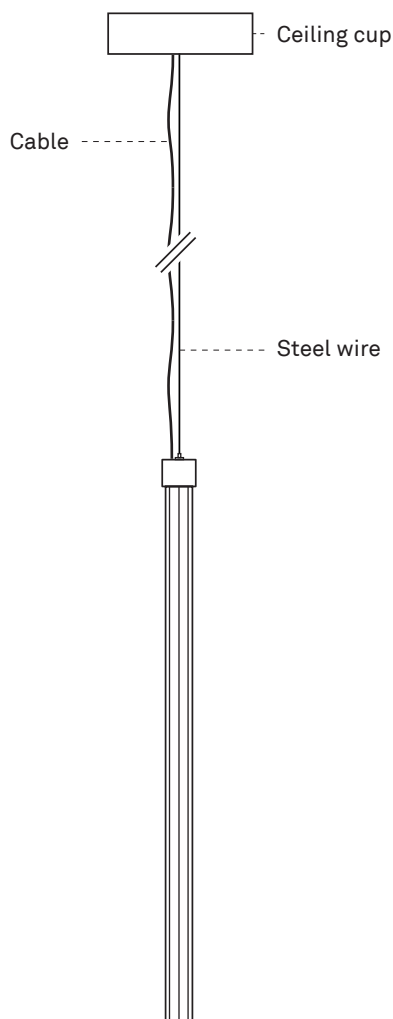


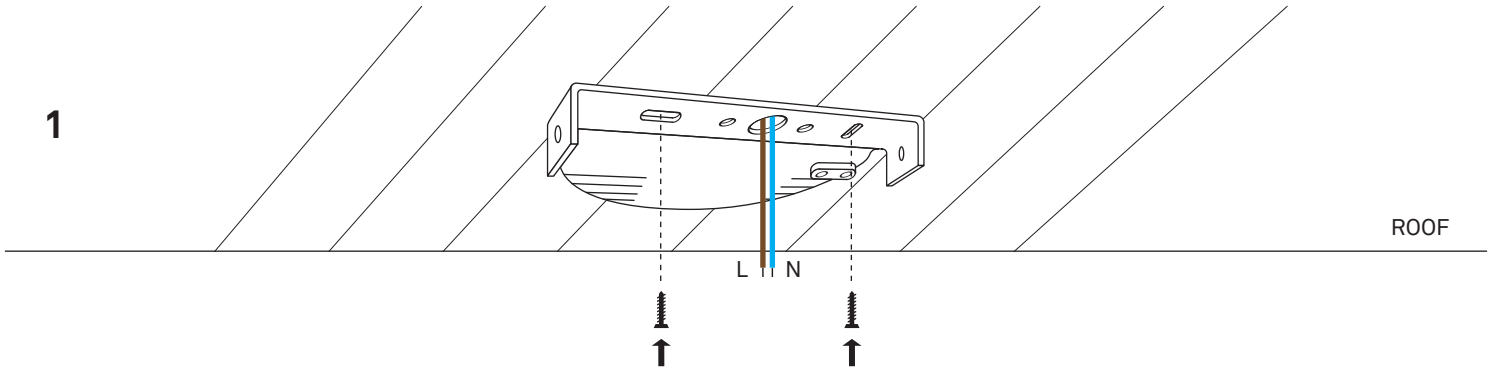
PIPELINE

INSTRUCTIONS

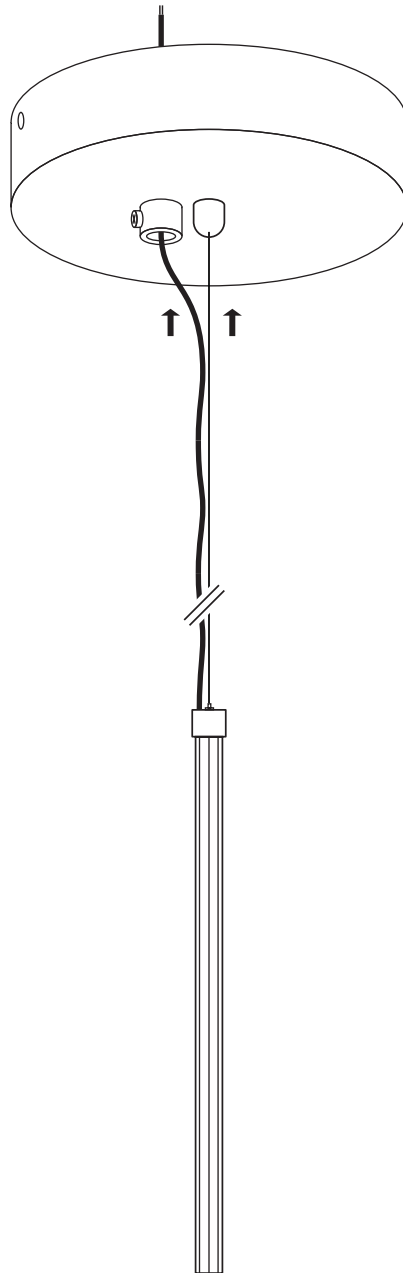


! Read these instructions carefully before commencing installation and retain for future reference. The luminaire should be installed by a licensed electrician and in accordance with local regulations. Make sure that the power is off before installation or maintenance.

1

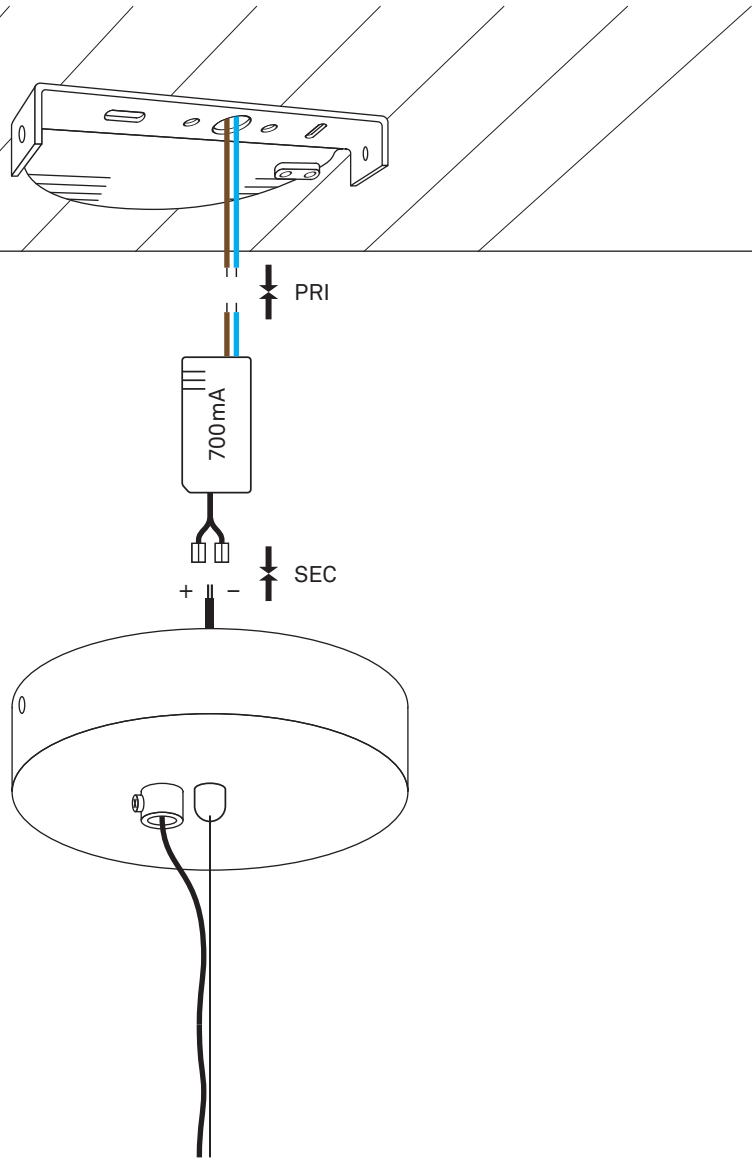


2

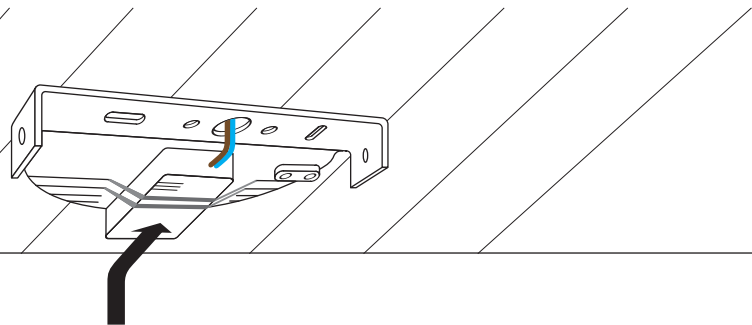


3

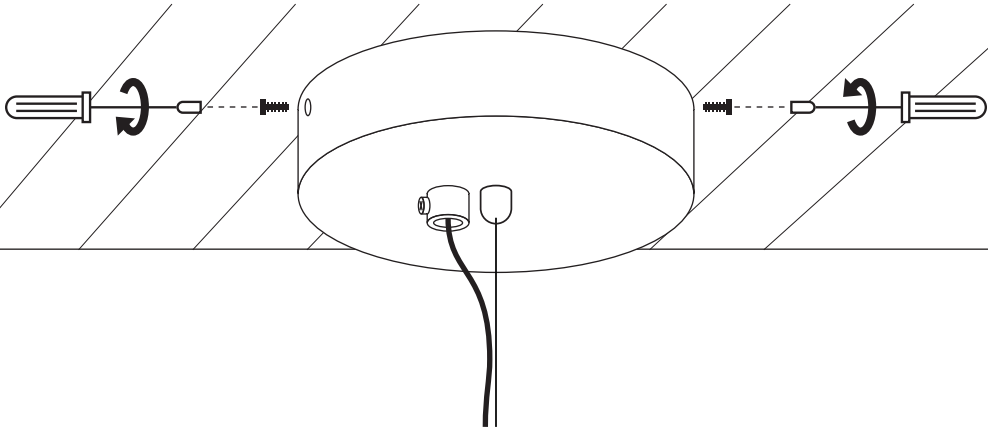
Single connection



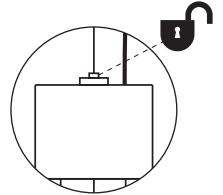
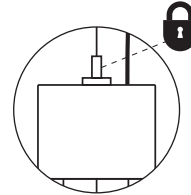
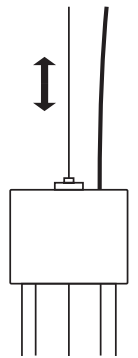
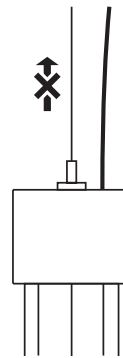
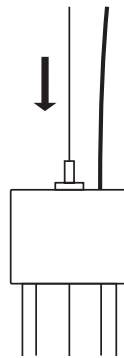
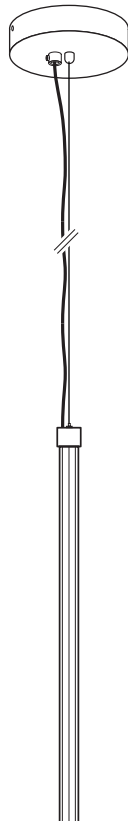
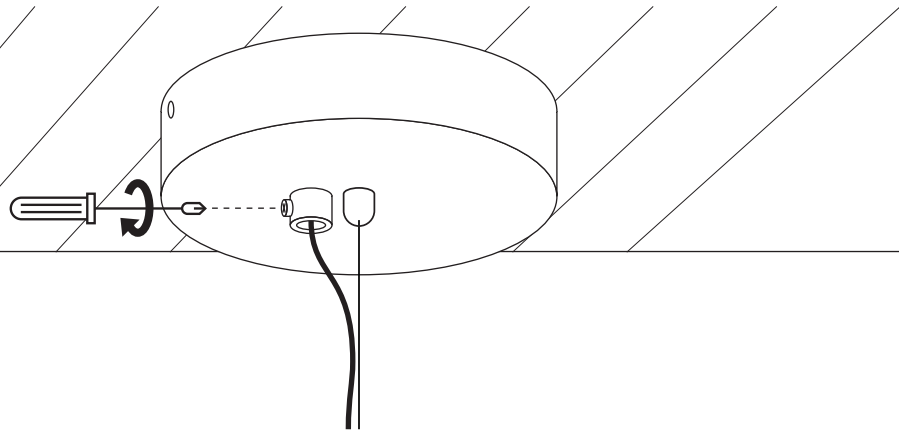
4



5



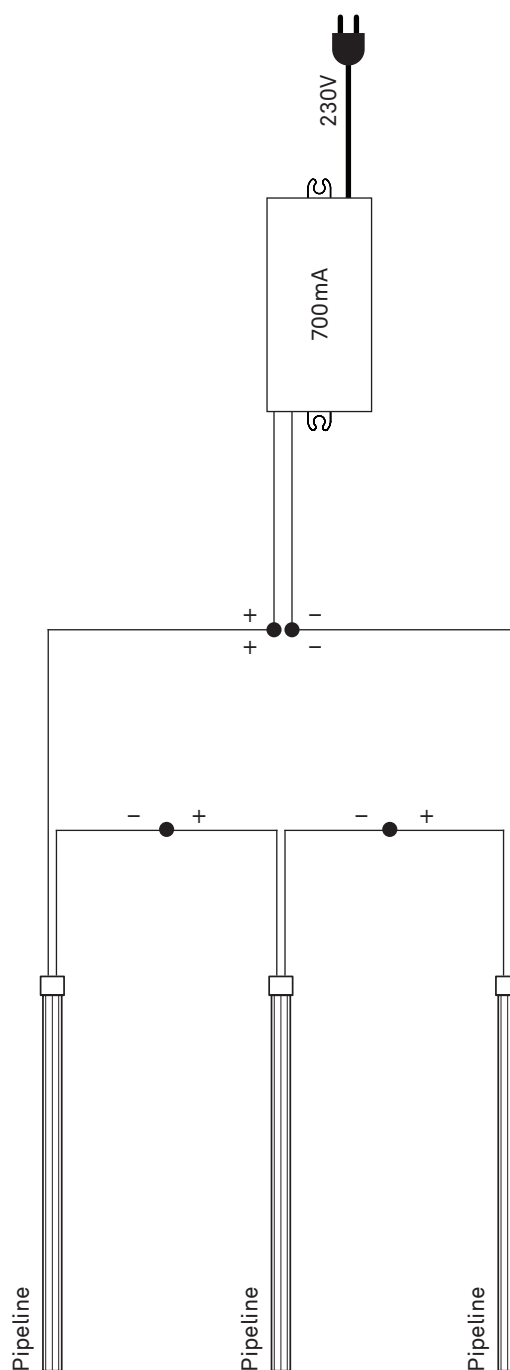
6



PIPELINE

CONNECTION

Series connection

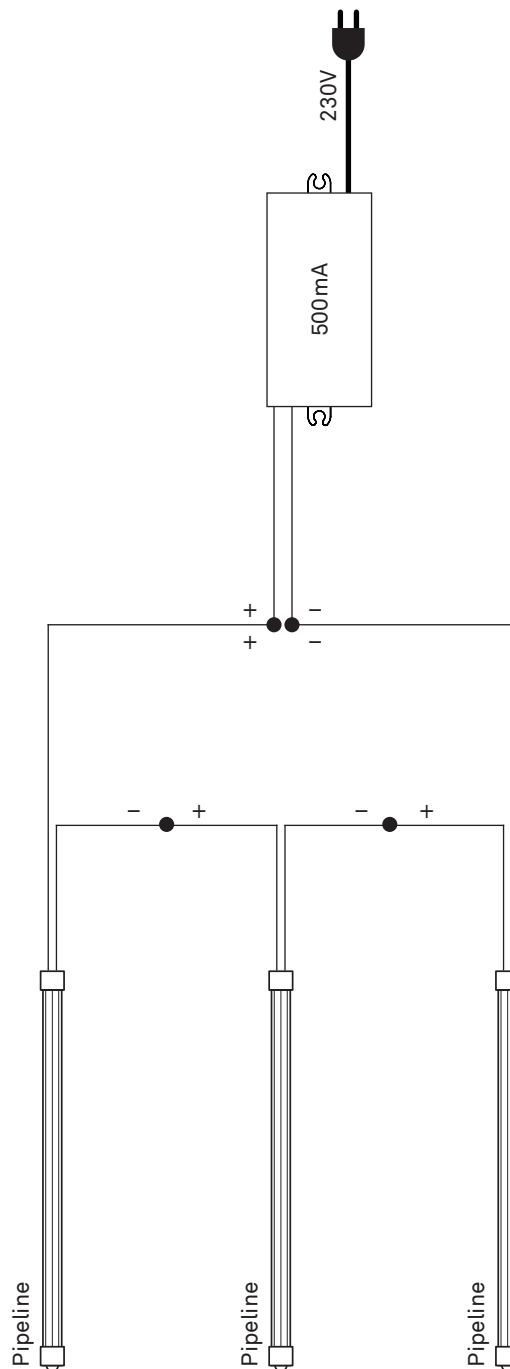


⚠ The luminaire connection should be made by a licensed electrician and in accordance with local regulations. Make sure that the power is off before installation or maintenance.

PIPELINE

CONNECTION

Series connection with downlight



⚠ The luminaire connection should be made by a licensed electrician and in accordance with local regulations. Make sure that the power is off before installation or maintenance.