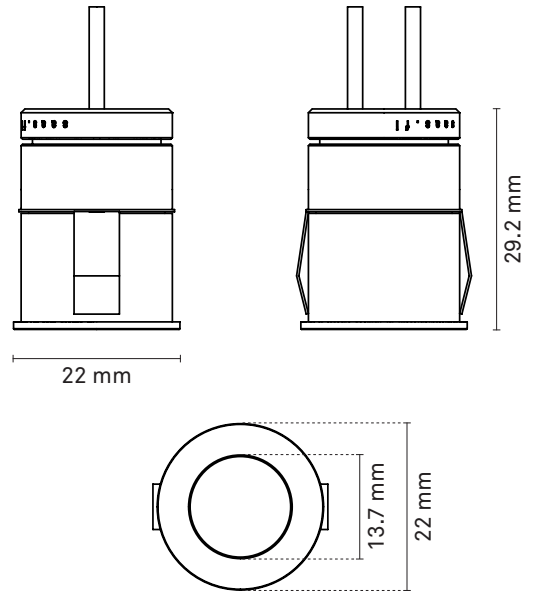


saas blaze handrail spot

INSTRUCTIONS

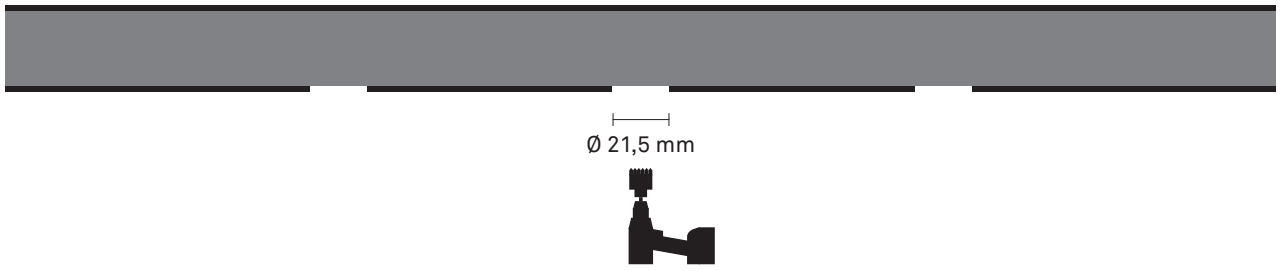
1



| | | | | | | | |
|-----------|--------------|-----------|-------------------------|-----------|--------|-----------------------------|------|
| LED 3W | 200 lumen | 900 mA | 2700K 3000K 4000K | ALUMINIUM | BLACK | 16 / 30 / 60° ASYMMETRIC | IP65 |
| | 21,5 mm | DALI | TRIAC | DMX | ON/OFF | L90B10 50 000h | CE |

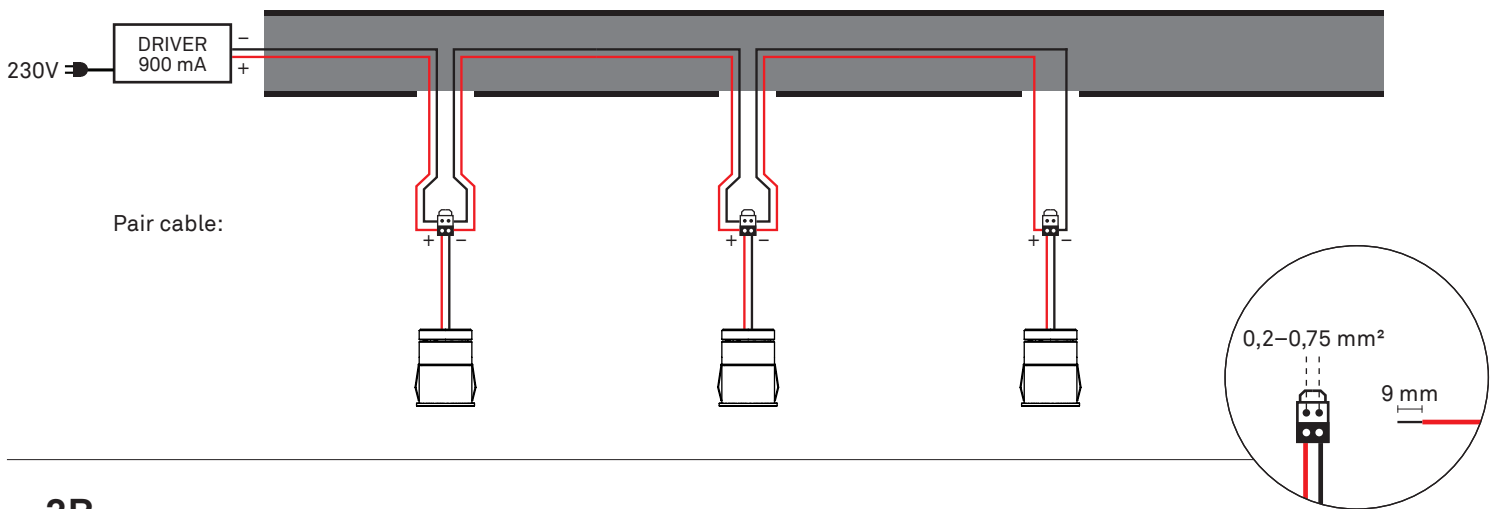
1

Handrail

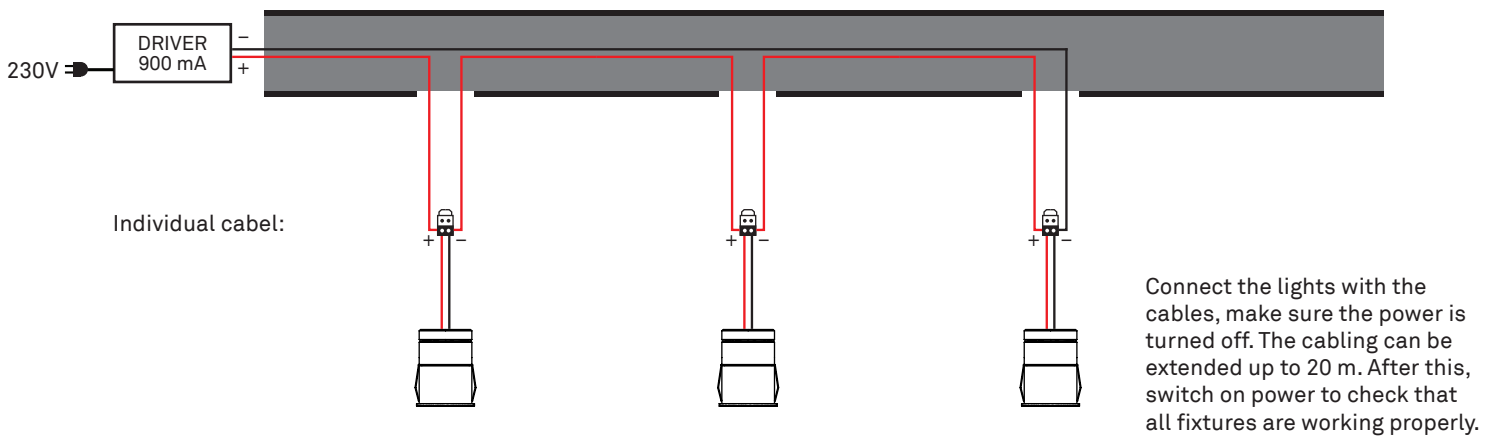


Drill 21,5 mm holes for the led-lights.

2A



2B



3

Lastly, push the led-lights into the drilled holes. The fittings are installed in the drilled holes using the installation springs.

