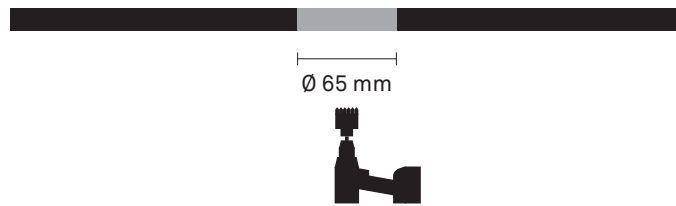


saas HD 60 PIVOT

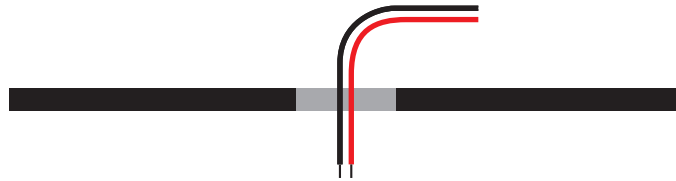
INSTRUCTIONS / CONNECTION WITHOUT SAAS WIRE

1



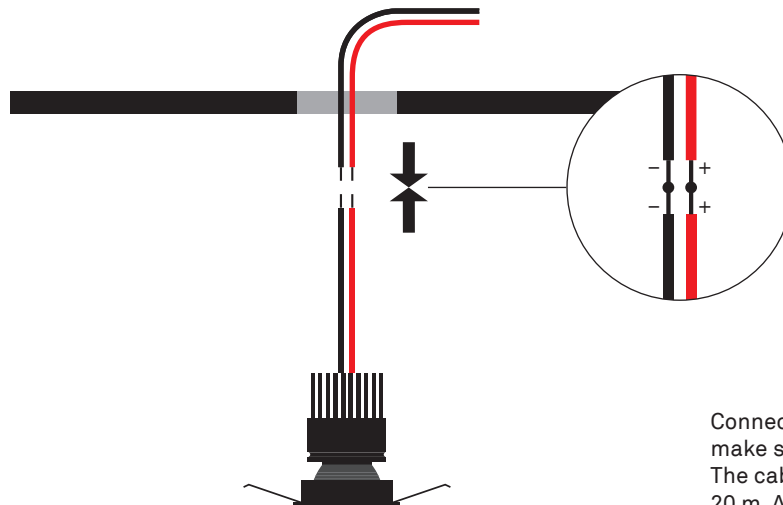
Drill 65 mm holes for the led-lights.

2



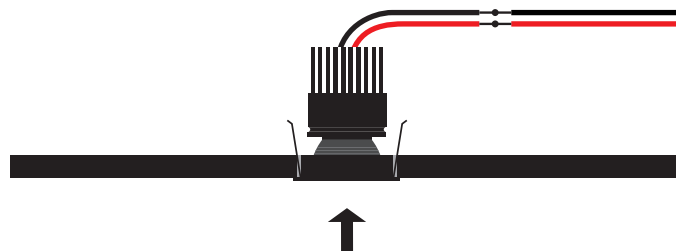
Slide the wires through the drilled holes.

3

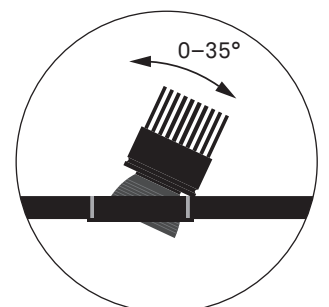


Connect the lights with the cables, make sure the power is turned off. The cabling can be extended up to 20 m. After this, switch on power to check that all fixtures are working properly.

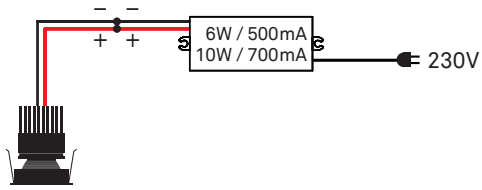
4



Lastly, push the Saas HD 60 Pivot into the drilled holes.



5 Connection scheme with one fixture:



Connection scheme with several fixtures (series connection):

