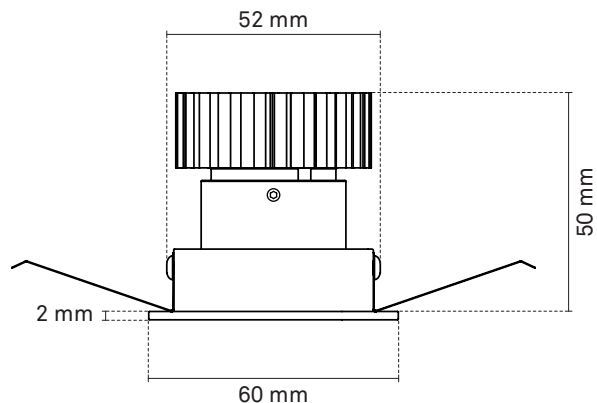


saas power spot R

1



LED 6W	Ra 90	3 SDCM	500 lumen	500 mA	-20 °C ... +50 °C		DIM
IP44	20°-50°	54 mm	2700K 3000K 4000K	1 LED /2m ² 2 LED /2m ²	L90B10 50 000h		

	Sähkönumerot	E-Nummer	Product numbers	
	2700K 3000K 4000K	41 281 19 41 281 20 41 281 21	74 513 85 74 513 86 74 513 87	1000 0525 1000 0522 1000 0519
	2700K 3000K 4000K	41 281 22 41 281 23 41 281 24	74 513 88 74 513 89 74 513 90	1000 0523 1000 0520 1000 0517
	2700K 3000K 4000K	41 281 25 41 281 26 41 281 27	74 513 91 74 513 92 74 513 93	1000 0524 1000 0521 1000 0518