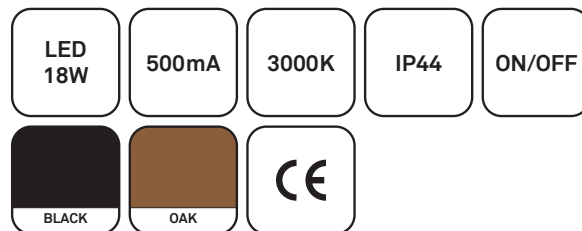
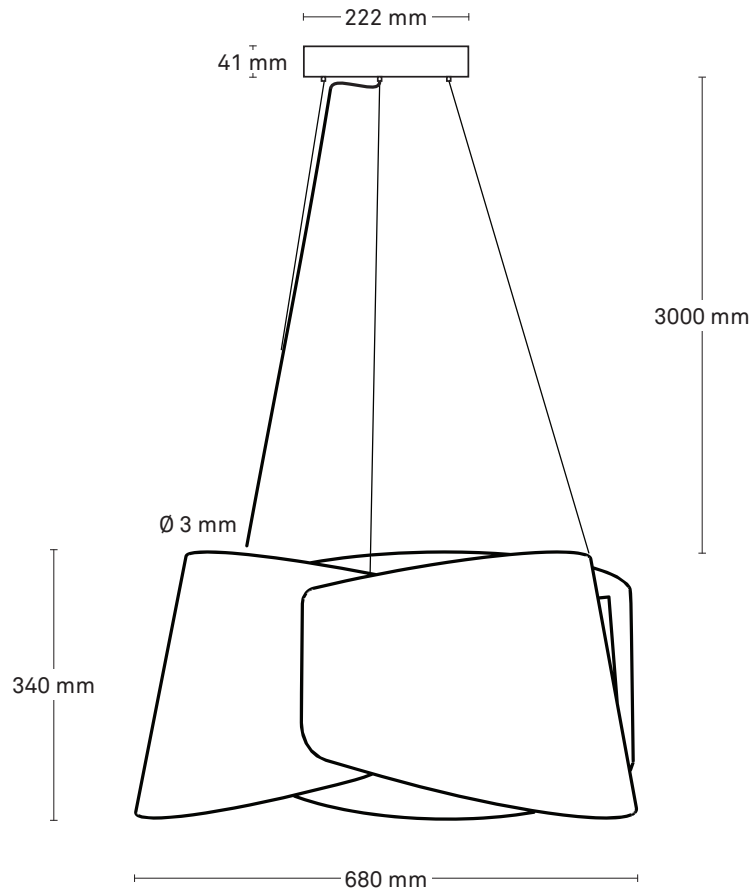


TREFOIL

INSTRUCTIONS



OPTIONS: DALI / DMX / TRIAC / 1-10V / SW

! Read these instructions carefully before commencing installation and retain for future reference. The luminaire should be installed by a licensed electrician and in accordance with local regulations. Make sure that the power is off before installation or maintenance.

